

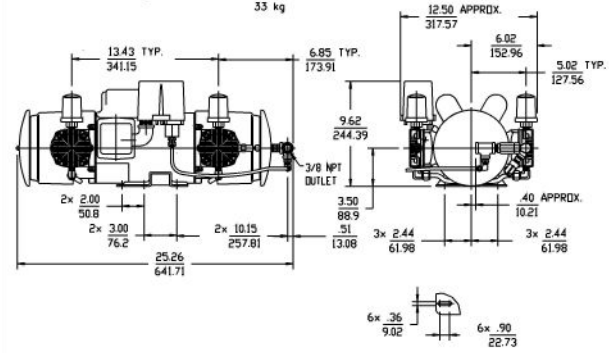
Product Specifications



GAST MANUFACTURING, INC.
 A Unit of IDEX Corporation
 Head Office: Box 97
 Benton Harbor, Michigan
 Ph: 269/925-6171
 Fax: 269/925-5288

| Model | V | HP | kW | Hz | Part Number | Revision |
|----------------|-------------|-----|------|----|-------------|----------|
| 7LDE-46S-M750X | 115/208-230 | 1.5 | 1.11 | 60 | RTD661A | A |

1725
 75-81 dBA
 +5
 +40 °C
 20-80%
 73 lbs.
 33 kg



- NOTES:
1. ALL DIMENSIONS ARE FOR REFERENCE USE ONLY.
 2. PRODUCT DIMENSIONS: U.S. IMPERIAL (inches) METRIC (mm).
 3. TECHNICAL DATA SUBJECT TO CHANGE WITHOUT NOTICE.
 4. ENVIRONMENT: CLEAN DUST FREE.
 5. FACTORY SETTING: CUT-IN 40 PSI± 2 PSI/CUT-OUT 50 PSI ±2 PSI.

PRODUCT PERFORMANCE

