



GAST MANUFACTURING, INC.
 A Unit of IDEX Corporation
 Post Office Box 97
 Benton Harbor, Michigan
 Ph: 269/926-6171
 Fax: 269/925-8288

PART NUMBER:

REV.

RTD151
 SHEET 1 of 2

C

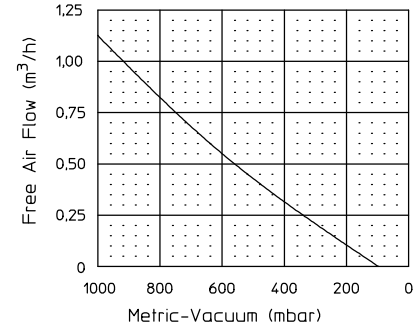
Product Specifications

Model Number	Motor	RPM	HP	kW	Net Wt.		AMPS	CAPACITOR mfd. - volts
					lbs.	kg		
LOA-101-JR	11-15V DC	2000	.10	0,07	6.6	3,0	9.0	----

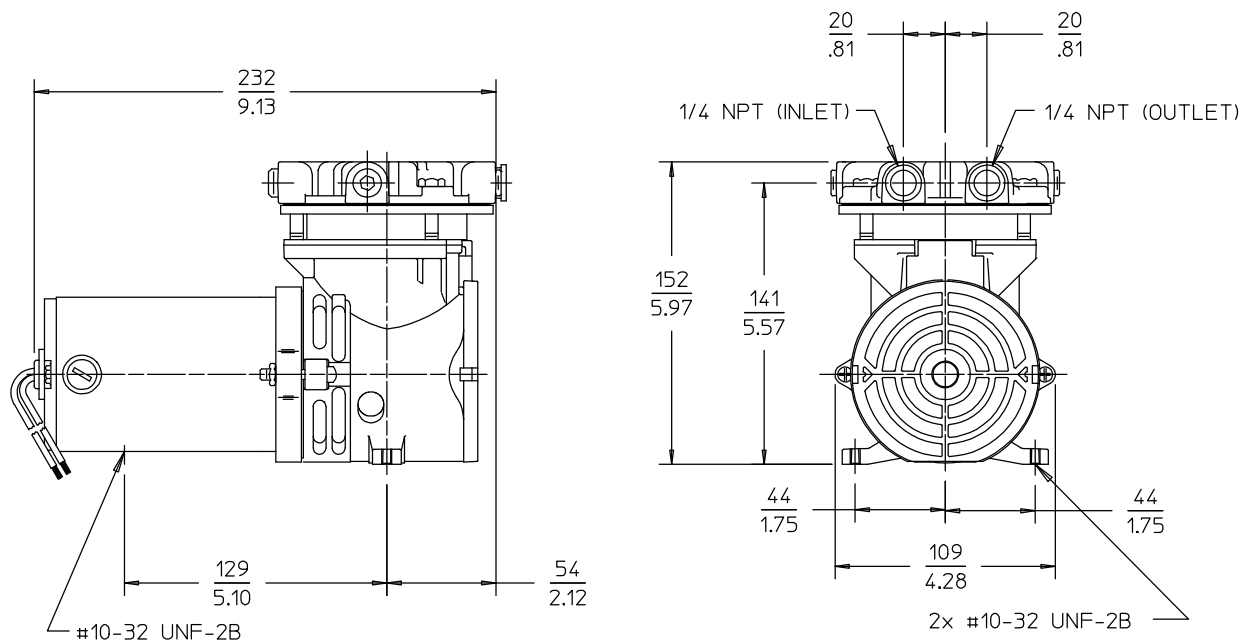
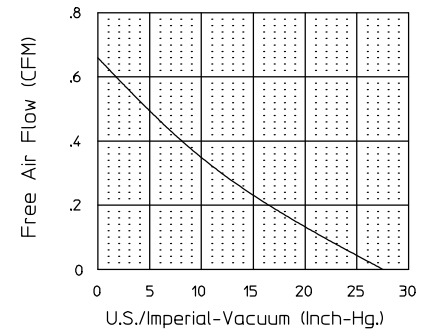
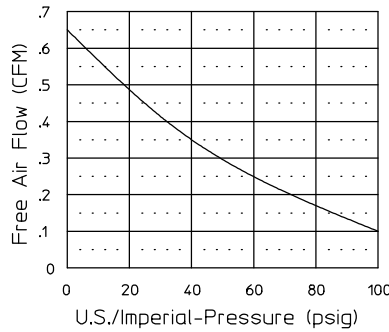
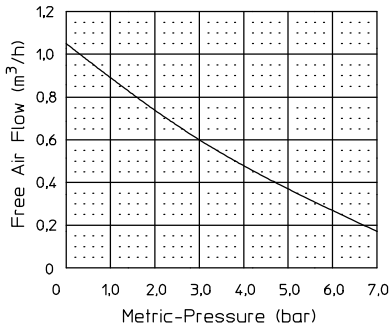
SOUND LEVEL Less than 70 dB(A)
 NORMAL AMBIENT +5 degC - +40 degC
 RELATIVE HUMIDITY 20% - 80%
 ENVIRONMENT Clean Dust Free

NOTES:

1. ALL DIMENSIONS ARE FOR REFERENCE USE ONLY.
2. PRODUCT DIMENSIONS: U.S. IMPERIAL (inches) METRIC (mm).
3. * = TECHNICAL DATA SUBJECT TO CHANGE WITHOUT NOTICE.
4. THIS MODEL REQUIRES ADDITIONAL CAPACITANCE TO BE APPLIED TO THE ELECTRICAL INPUT IN ORDER TO COMPLY WITH THE EU EMC DIRECTIVE. SEE SHEET 2 OF 2.



PRODUCT PERFORMANCE



LOA-101-JR = 2x 0.47 mfd

